



Featuring both pneumatic and hydraulic operation, HUCK's LockForce™ Tools are designed to install a wide range of two-piece LockBolt™ fasteners.

- LockForce™ 212** A high-speed pneumatic production tool. Use with 3/16" to 1/4" diameter fasteners.
- LockForce™ 2025** Highly durable pneumatic installation tool. Use with 3/16" to 1/4" diameter fasteners in production volume applications.
- LockForce™ 2480** A lightweight, high-speed hydraulic tool for limited space production applications. Powered by a HUCK POWERIG® Hydraulic Power System.



## LockForce 212

### Pneudraulic Installation Tool

#### Specifications

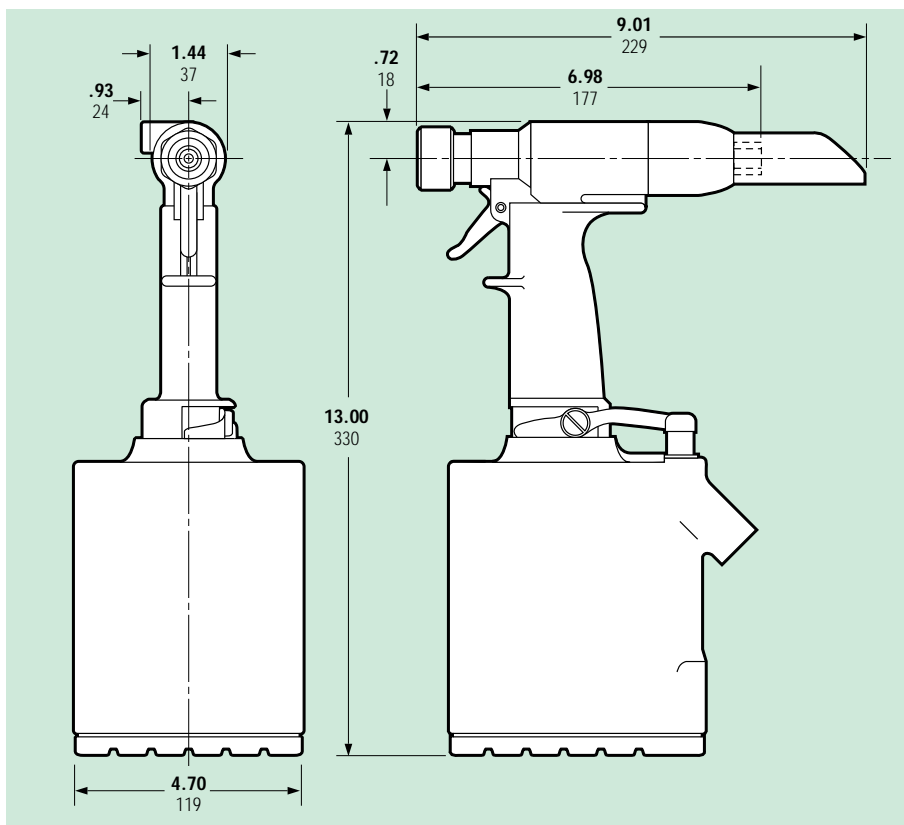
*Weight:*  
8.50 lbs.

*Required Air Pressure:*  
90-100 psi

*Air Consumption:*  
3 CFM based on  
30 fastener installations/minute

*Hydraulic Fluid:*  
Automatic Transmission Fluid  
DEXTRON II® or equivalent

*Stroke:*  
.85 in.



#### Compatible Fastener

Type	Diameter	Nose Assembly	
BOM	3/16	99-994	
MAGNA-LOK	3/16	99-3300	99-3303
		99-3316-68	
	1/4	99-3301	99-3305
		99-3316-68	
MAGNA-BULB	3/16	99-3300 99-3303	
		99-3301 99-3305	
MAGNA-GRIP	3/16	99-3201	
		99-3204	
HUCKTAINER	-12	99-3464	
C6L/120L	3/16	99-999	
		99-1000	



The LockForce 212 has been designed to provide reduced shock at pinbreak, and a straight on head/handle design for maximum comfort while holding the tool.

## LockForce 2025

### Pneudraulic Installation Tool

#### Specifications

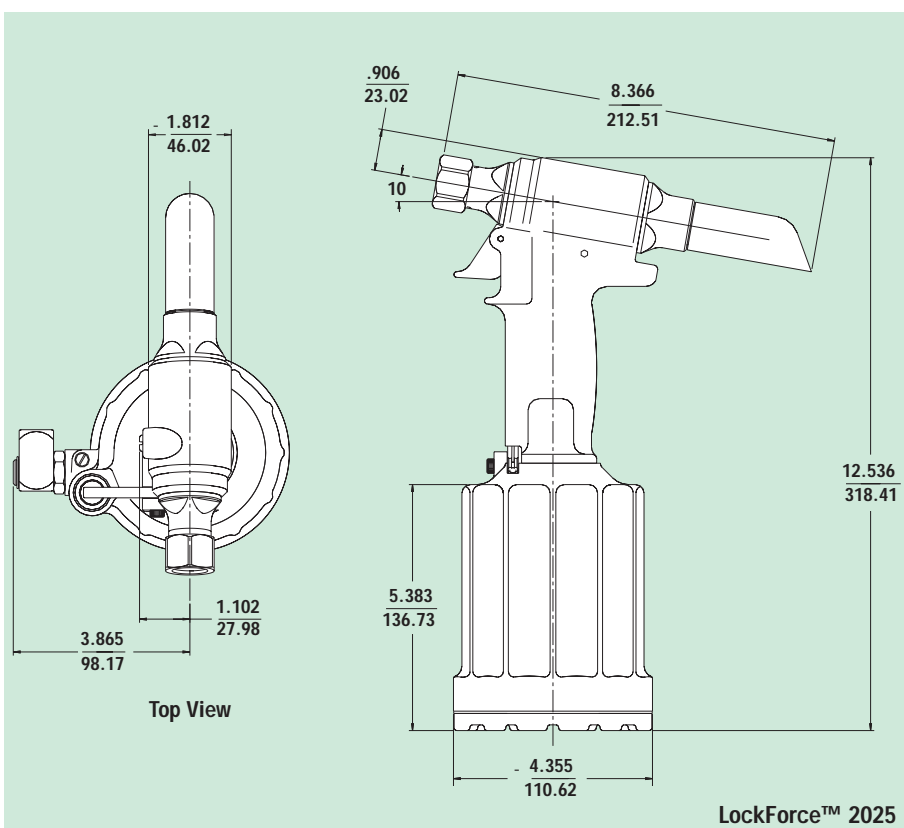
*Weight:*  
5.75 lbs.

*Required Air Pressure:*  
90-110 psi

*Air Consumption:*  
1.4 CFM based on 30 cycles per  
minute

*Hydraulic Fluid:*  
Automatic Transmission Fluid  
DEXTRON II® or equivalent

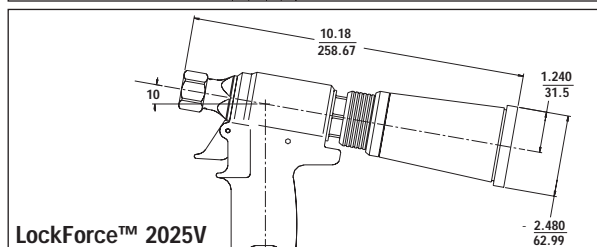
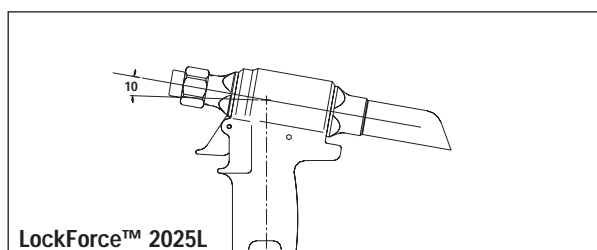
*Stroke:*  
0.675 in.



LockForce™ 2025

#### Compatible Fastener

Type	Diameter	Nose Assembly
BOM	3/16	99-994
MAGNA-LOK	3/16	99-3300
	1/4	99-3301
MAGNA-BULB	3/16	99-3300
	1/4	99-3301
AUTO-BULB	3/16	99-3305
	1/4	99-3305
MAGNA-GRIP	3/16	99-3201
	1/4	99-3204
HUCKTAINER	-12	99-3465
C6L/120L	3/16	99-999
	1/4	99-1000



Designed for production volume fastening, the LockForce™ 2025 offers a number of outstanding features, including an ergonomically designed handle, plated piston rods and efficient in-line piston. An extended piston version (2025L) is available and an optional vacuum assist pintail collection system (2025V) can be added.

## LockForce 2480

### Hydraulic Installation Tool

#### Specifications

*Weight:*  
2.2 lbs.

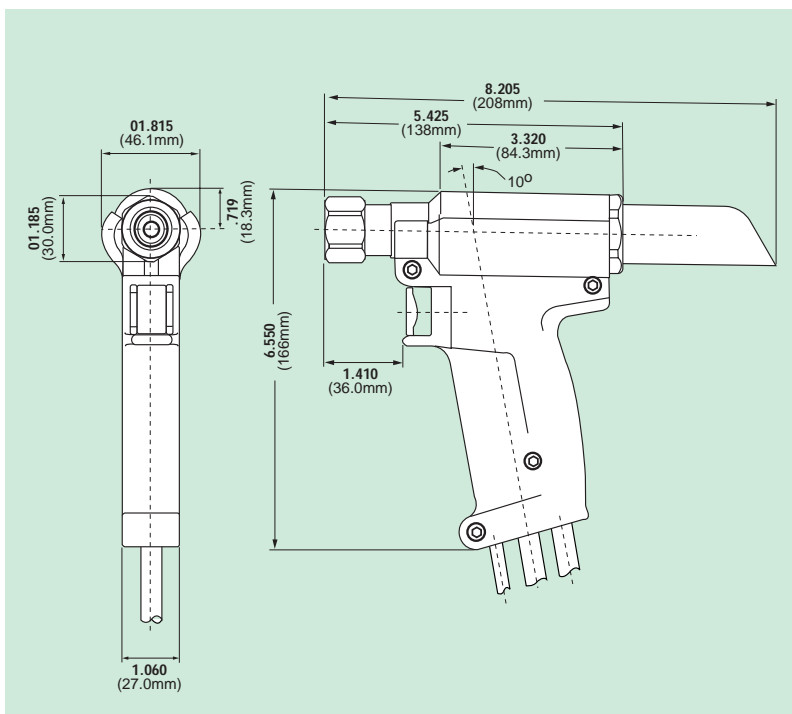
*Stroke:*  
.85 in.

*Recommended Operating*

*Air Pressure:*

90-100 psi

The LockForce 2480 is a very lightweight tool, which provides for the high-speed installation of a wide range of HUCK PowerLock and LockBolt fasteners. The tool has only one moving part for increased reliability and minimal maintenance.



#### Compatible Fastener

Type	Diameter	Nose Assembly	
BOM	3/16	99-994	
MAGNA-LOK	3/16	99-3316-68	99-3300 99-3303
		99-3316-68	99-3301 99-3305
	1/4	99-3316-68	99-3301 99-3305
MAGNA-BULB	3/16	99-3300	99-3303
	1/4	99-3301	99-3305
MAGNA-GRIP	3/16	99-3201	
	1/4	99-3204	
MAGNA-TITE	3/16	99-3310F/P	
	1/4	99-3311F/P	99-3312F/P
GRIP-RITE	3/32	99-3422-34	99-3422-3456 99-3423-3456
		99-3422-34	99-3422-3456 99-3423-3456
		99-3422-56	99-3422-3456 99-3423-3456
	1/8	99-3422-56	99-3422-3456 99-3423-3456
		99-3422-56	99-3422-3456 99-3423-3456
	3/16	99-3422-56	99-3422-3456 99-3423-3456
		99-3445-68	99-3446-68
1/4	99-3445-68	99-3446-68	
STRONGHOLD	1/8	99-3422-34	99-3422-3456 99-3423-3456
		99-3422-56	99-3422-3456 99-3423-3456
		99-3423-56	99-3422-3456 99-3423-3456
	3/16	99-3422-56	99-3422-3456 99-3423-3456
		99-3445-68	99-3446-68
1/4	99-3445-68	99-3446-68	
HUCKTAINER	-12	99-3464	
C6L	3/16	99-999	
	1/4	99-1000	



Type	Diameter	Nose Assembly	
AUTO-CLAMP	3/16	99-3422-56	99-3422-3456 99-3423-3456
		99-3445-68	99-3446-68
		99-3445-68	99-3446-68
A-LOCK	3/16	99-3422-56	99-3422-3456 99-3423-3456
		99-3445-68	99-3446-68
		99-3445-68	99-3446-68
PEEL	3/16	99-3460	99-3461
	1/4	99-3462	99-3463