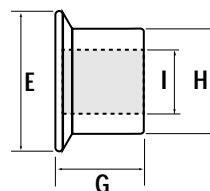
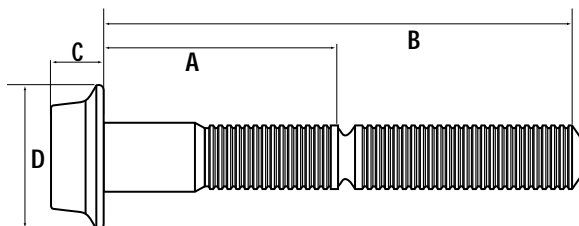


## HP8® PowerBolt™

HUCK's original Grade 8 fastening system, the HP8® PowerBolt®, provides an easy-to-use system that delivers a permanent, vibration resistant clamp. These fasteners, available in diameters ranging from 1/2" to 3/4", offer fast, tamper-resistant installation, with only a visual inspection required.



### Fastener Dimensions

#### 1/2" Round Head (DT16)

	Grip No.	A	B
C=.307	<b>8</b>	1.625	3.550
D=1.07	<b>12</b>	1.875	3.800
G=.75	<b>16</b>	2.125	4.050
H=.812	<b>20</b>	2.375	4.300
I=.519	<b>28</b>	2.875	4.80
	<b>36</b>	3.375	5.300
	<b>44</b>	3.875	5.800
	<b>52</b>	4.375	6.300
	<b>60</b>	4.875	6.800

#### 5/8" Round Head (DT20)

	Grip No.	A	B
C=.498	<b>8</b>	1.820	4.038
D=1.330	<b>12</b>	2.070	4.288
G=.922	<b>16</b>	2.320	4.538
H=1.009	<b>20</b>	2.570	4.788
I=.645	<b>28</b>	3.070	5.288
	<b>36</b>	3.570	5.788
	<b>44</b>	4.070	6.288
	<b>52</b>	4.570	6.788
	<b>60</b>	5.070	7.288
	<b>88</b>	6.820	9.038

#### 3/4" Round Head (DT24)

	Grip No.	A	B
C=.60	<b>8</b>	2.000	4.640
D=1.59	<b>12</b>	2.250	4.890
G=1.107	<b>16</b>	2.500	5.140
H=1.213	<b>20</b>	2.750	5.390
I=.780	<b>28</b>	3.250	5.890
	<b>32</b>	3.500	6.140
	<b>36</b>	3.750	6.390
	<b>44</b>	4.250	6.890
	<b>52</b>	4.750	7.390
	<b>60</b>	5.250	7.890

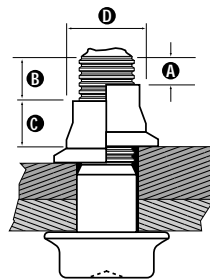
### Grip Data

Grip Number	Range min-max
8	.250-.750
12	.500-1.00
16	.750-1.25
20	1.00-1.50
28	1.50-2.00
32	1.75-2.25
36	2.00-2.50
44	2.50-3.00
52	3.00-3.50
60	3.50-4.00
88	5.25-5.75

### Inspection Data

#### ROUND HEAD INCH SERIES (")

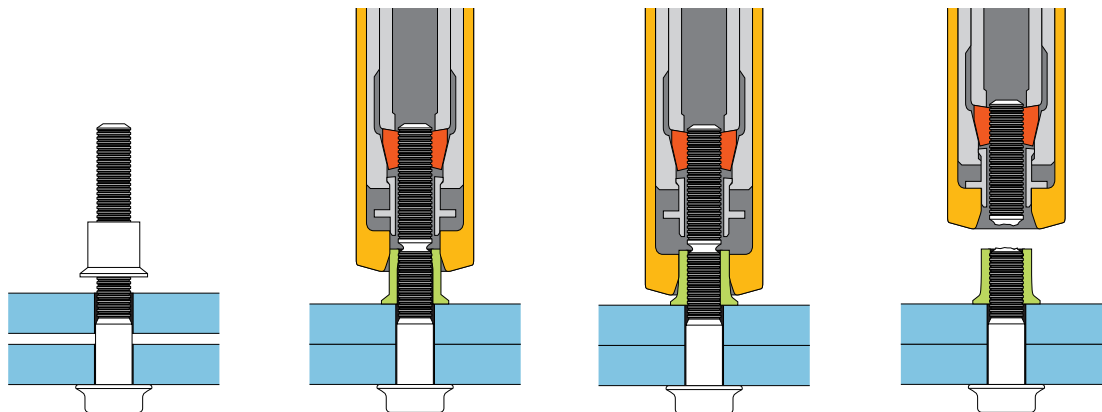
DIAMETER	A (Min)	B (Max)	C (Min)	D (Max)
DT16	.10	.65	.56	.760
DT20	.12	.67	.73	.945
DT24	.12	.67	.86	1.132



### Installation Tooling

Dia.	Installation Tool	Nose Assembly	Type	Use
1/2	FE5901	99-5300	Hydraulic	Production
	5901	99-5300	Hydraulic	Production
5/8	585	99-5301	Hydraulic	Production
	586	99-5301	Hydraulic	Production
3/4	585	99-5303	Hydraulic	Production
	586	99-5303	Hydraulic	Production

### Installation Sequence



[Click Here to view animation of installation sequence](#)

### Part Number Identification

**HP8 F DT 16 16**

